

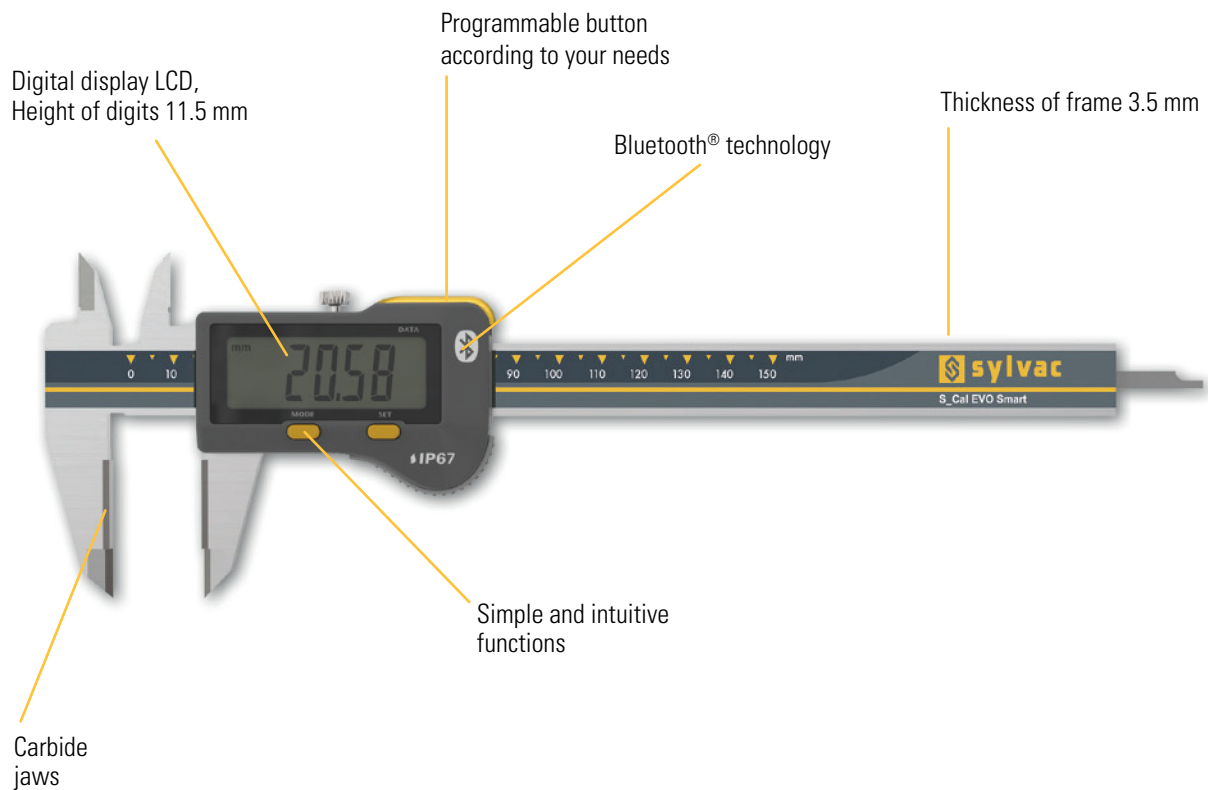
Caliper

S_Cal EVO

DESCRIPTION

CARBIDE

- **Integrated Bluetooth® wireless technology (depends on model)**
- **Carbide jaws (external jaws only)**
- New extra-large display
- Programmable button according to your needs (depends on model)
- Automatic wake-up by moving the electronic on his frame. (Absolute System S.I.S)
- Sleeping mode after 10 min. of no use. (Absolute System S.I.S)
- Position memorized in sleeping mode, **Absolute System S.I.S***
- Maximum speed of displacement : 2.5 m/sec
- Mechanical frame in stainless steel, hardened and grinded
- Great comfort of use thanks to its ergonomic frame
- Thumb wheel on request (see accessories)



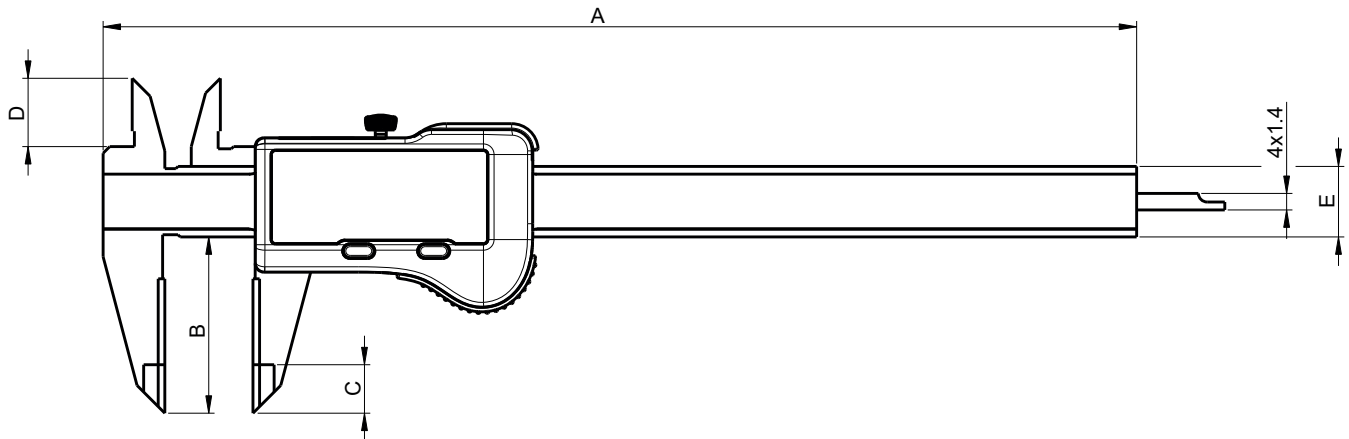
External carbide jaws

Caliper

S_Cal EVO

DIMENSIONAL DRAWING

CARBIDE



TECHNICAL SPECIFICATIONS

| | | 109135.0600 | |
|--|----|--|---------------------------------|
| Measuring range | mm | | 150 |
| Max. Error G | µm | | 20 ¹⁾ |
| A | mm | | 234.5 |
| B | mm | | 40 |
| C | mm | | 11 |
| D | mm | | 16 |
| E | mm | | 16 x 3.5 |
| Depth rod | mm | | 4 x 1.4 |
| Protection rating according to IEC 60529 | | | IP67 |
| Output data | | | Bluetooth® wireless technology* |
| Functions | | Zero setting, Preset (max 999.99), mm/inch, Hold, Data | |
| Smart Inductive Sensor | | | ● |

¹⁾ > 100 mm : 30 µm / DIN 862

* see cables chapter

*** Up to 8 instruments connected per dongle 109145.1390**
 More informations on How to use Bluetooth® leaflet SYL_1401_EN_BT

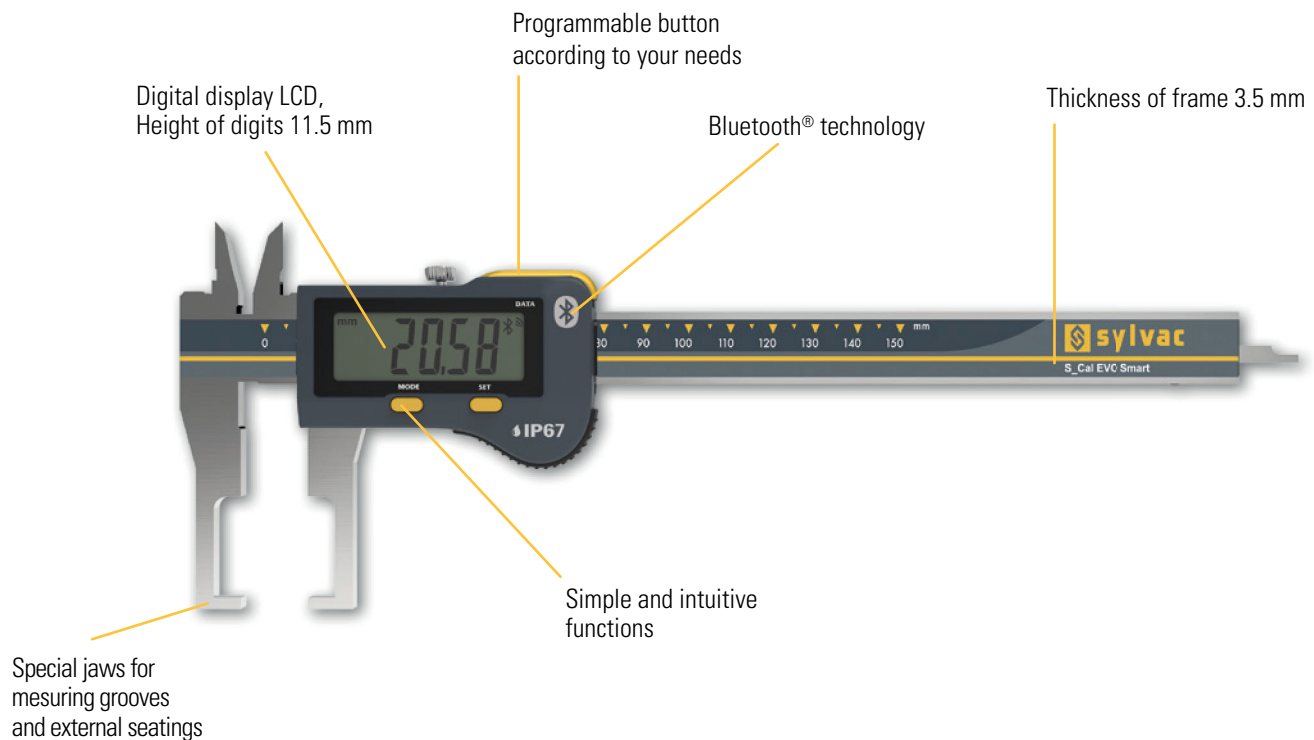
Special caliper

S_Cal EVO

DESCRIPTION

SMART EXTERNAL GROOVE

- **Integrated Bluetooth® wireless technology**
- Special jaws for measuring grooves and external seatings
- Programmable button according to your needs
- Water protected for heavy-duty work with coolants and lubricants, protection rating IP67 according to IEC 60529,
- Automatic wake-up by moving the electronic on his frame. (Absolute System S.I.S)
- Sleeping mode after 10 min. of no use. (Absolute System S.I.S)
- Position memorized in sleeping mode, **Absolute System S.I.S***
- Maximum speed of displacement : 2.5 m/sec
- Mechanical frame in stainless steel, hardened and grinded
- Great comfort of use thanks to its ergonomic frame



For measuring grooves and external seatings

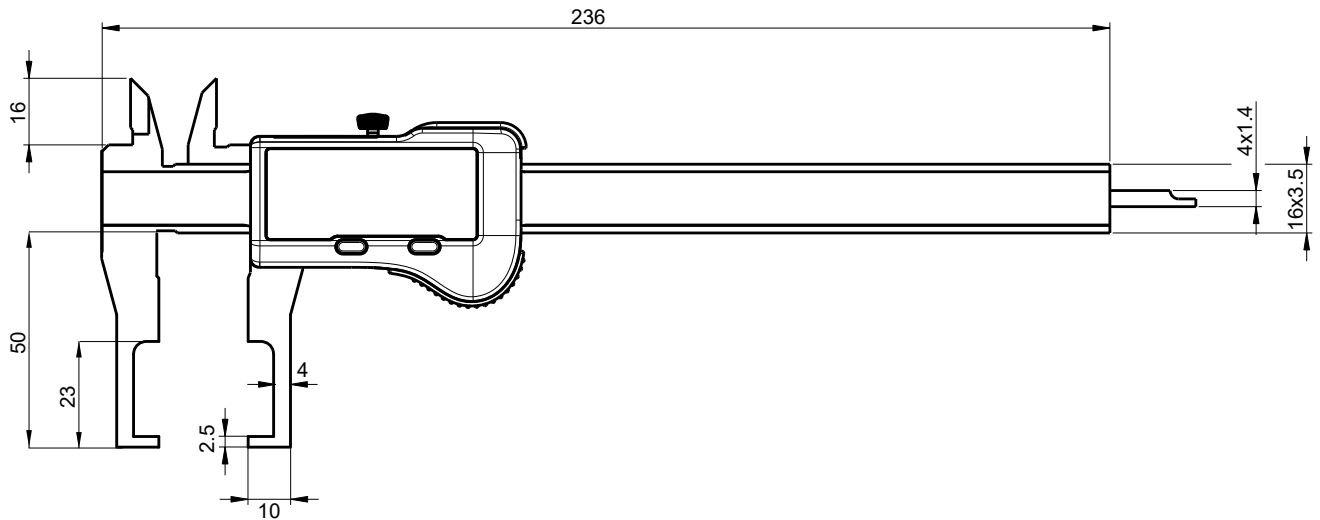


Special caliper

S_Cal EVO

DIMENSIONAL DRAWING

SMART EXTERNAL GROOVE



TECHNICAL SPECIFICATIONS

| | | 109135.1100 |
|--|----|--|
| Measuring range | mm | 150 |
| Max. Error G | µm | 20 ¹⁾ |
| Depth rod | mm | ■ 4 x 1.4 |
| Protection rating according to IEC 60529 | | IP67 |
| Output data | | Bluetooth® wireless technology* |
| Functions | | Zero setting, Preset (max 999.99), mm/inch, Hold, Data |
| Smart Inductive Sensor | | ● |

¹⁾ > 100 mm : 30 µm / DIN 862

*** Up to 8 instruments connected per dongle 109145.1390**
More informations on How to use Bluetooth® leaflet SYL_1401_EN_BT

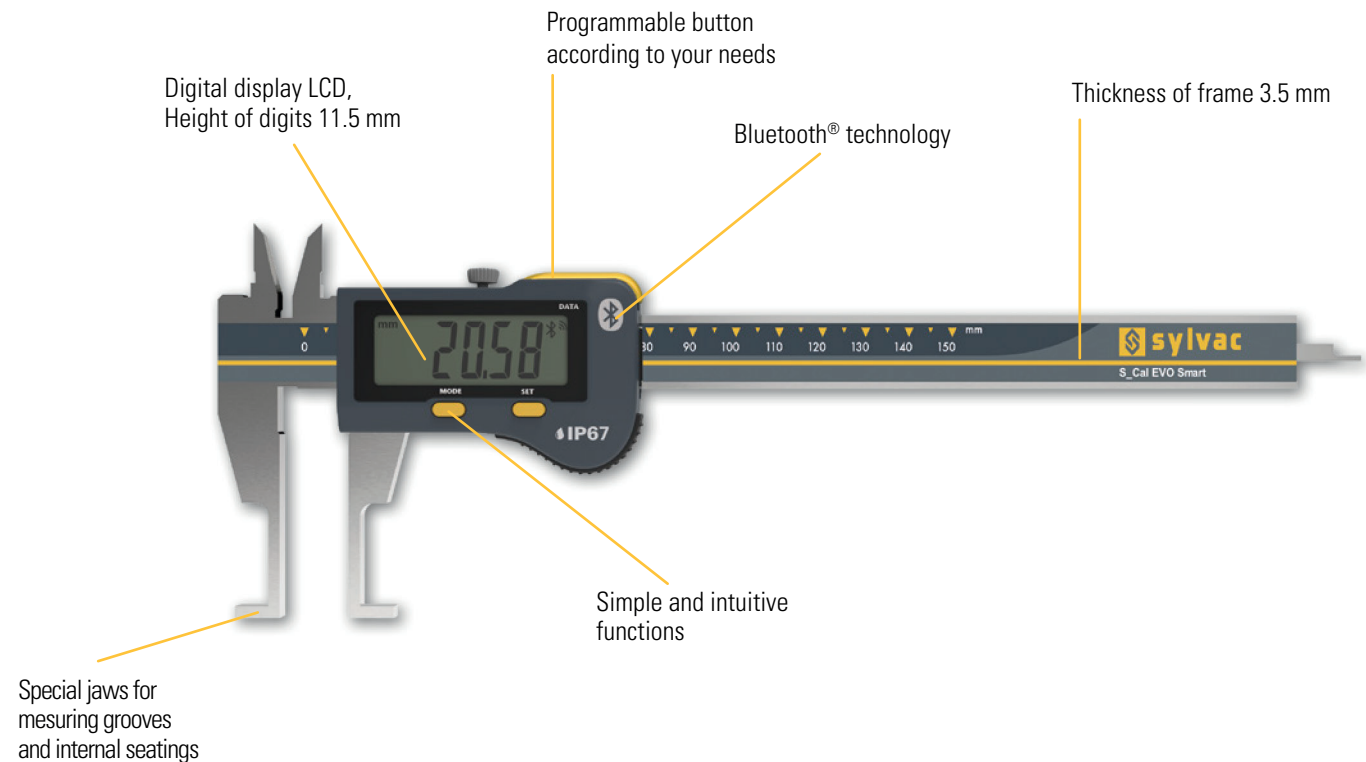
Special caliper

S_Cal EVO

DESCRIPTION

SMART INTERNAL GROOVE

- **Integrated Bluetooth® wireless technology**
- Special jaws for measuring grooves and internal seatings
- Programmable button according to your needs
- Water protected for heavy-duty work with coolants and lubricants, protection rating IP67 according to IEC 60529,
- Automatic wake-up by moving the electronic on his frame. (Absolute System S.I.S)
- Sleeping mode after 10 min. of no use. (Absolute System S.I.S)
- Position memorized in sleeping mode, **Absolute System S.I.S***
- Maximum speed of displacement : 2.5 m/sec
- Mechanical frame in stainless steel, hardened and grinded
- Great comfort of use thanks to its ergonomic frame



For measuring grooves and internal seatings

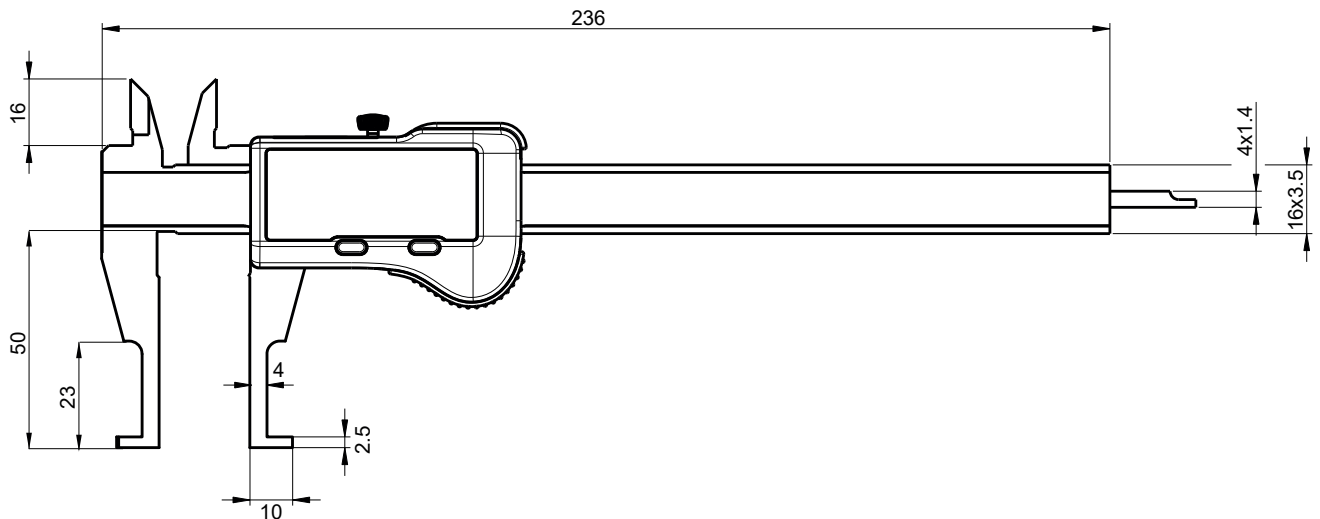


Special caliper

S_Cal EVO

DIMENSIONAL DRAWING

SMART INTERNAL GROOVE



TECHNICAL SPECIFICATIONS

| | | 109135.1300 |
|--|----|--|
| Measuring range | mm | 150 |
| Max. Error G | µm | 20 ¹⁾ |
| Depth rod | mm | ■ 4 x 1.4 |
| Protection rating according to IEC 60529 | | IP67 |
| Output data | | Bluetooth® wireless technology* |
| Functions | | Zero setting, Preset (max 999.99), mm/inch, Hold, Data |
| Smart Inductive Sensor | | ● |

¹⁾ > 100 mm : 30 µm / DIN 862

*** Up to 8 instruments connected per dongle 109145.1390**
 More informations on How to use Bluetooth® leaflet SYL_1401_EN_BT

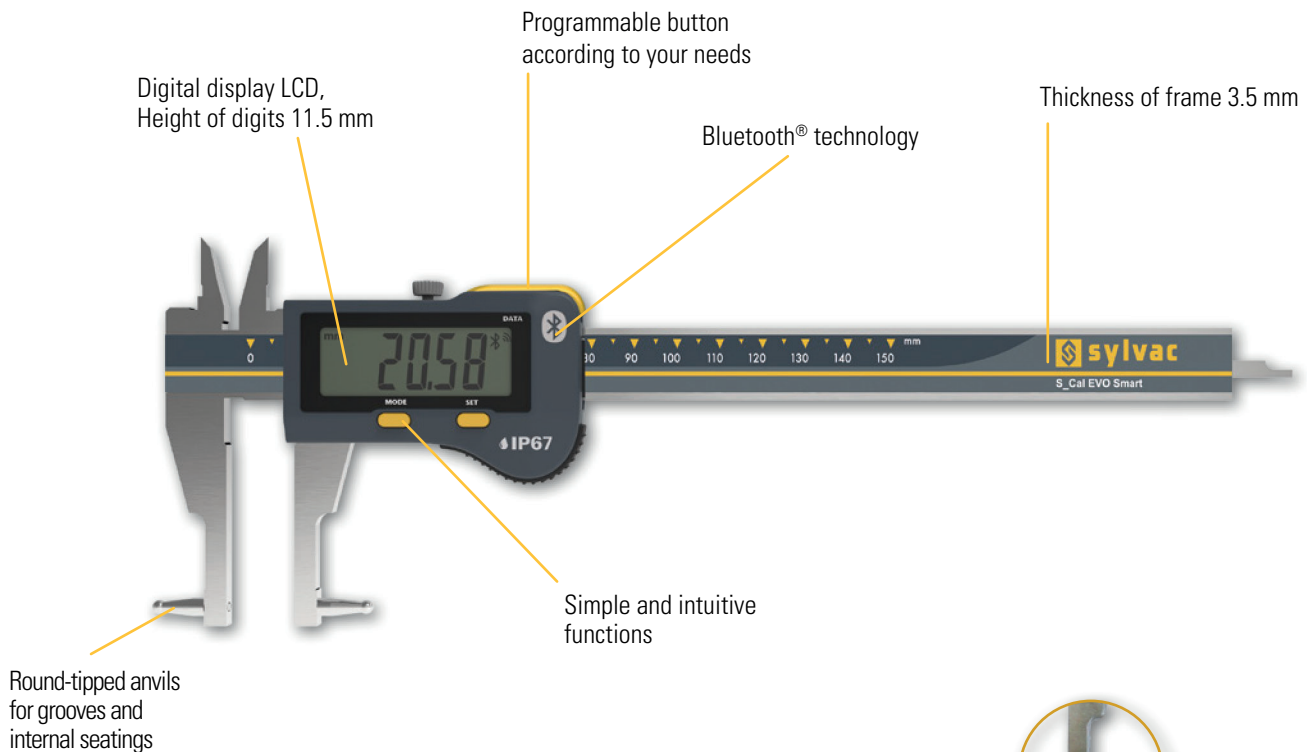
Special caliper

S_Cal EVO

DESCRIPTION

SMART POINTS JAWS

- **Integrated Bluetooth® wireless technology**
- Interchangeable round polished anvils for measuring internal grooves
- Programmable button according to your needs
- Water protected for heavy-duty work with coolants and lubricants, protection rating IP67 according to IEC 60529,
- Automatic wake-up by moving the electronic on his frame. (Absolute System S.I.S)
- Sleeping mode after 10 min. of no use. (Absolute System S.I.S)
- Position memorized in sleeping mode, **Absolute System S.I.S***
- Maximum speed of displacement : 2.5 m/sec
- Mechanical frame in stainless steel, hardened and grinded
- Great comfort of use thanks to its ergonomic frame



M2.5



Interchangeable anvils

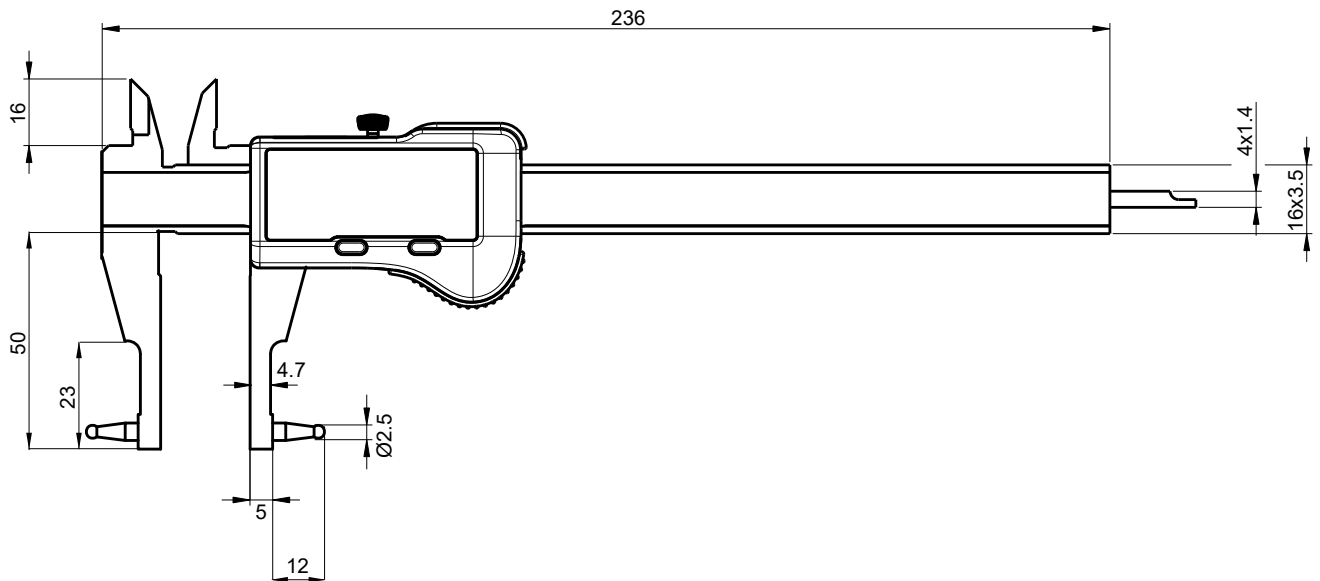


Special caliper

S_Cal EVO

DIMENSIONAL DRAWING

SMART POINTS JAWS



TECHNICAL SPECIFICATIONS

| | | 109135.1800 |
|--|----|--|
| Measuring range | mm | 150 |
| Max. Error G | µm | 20 ¹⁾ |
| Depth rod | mm | 4 x 1.4 |
| Protection rating according to IEC 60529 | | IP67 |
| Output data | | Bluetooth® wireless technology* |
| Functions | | Zero setting, Preset (max 999.99), mm/inch, Hold, Data |
| Smart Inductive Sensor | | ● |

¹⁾ > 100 mm : 30 µm / DIN 862

*** Up to 8 instruments connected per dongle 109145.1390**
 More informations on How to use Bluetooth® leaflet SYL_1401_EN_BT



Partkey to screw/unscrew
the anvils

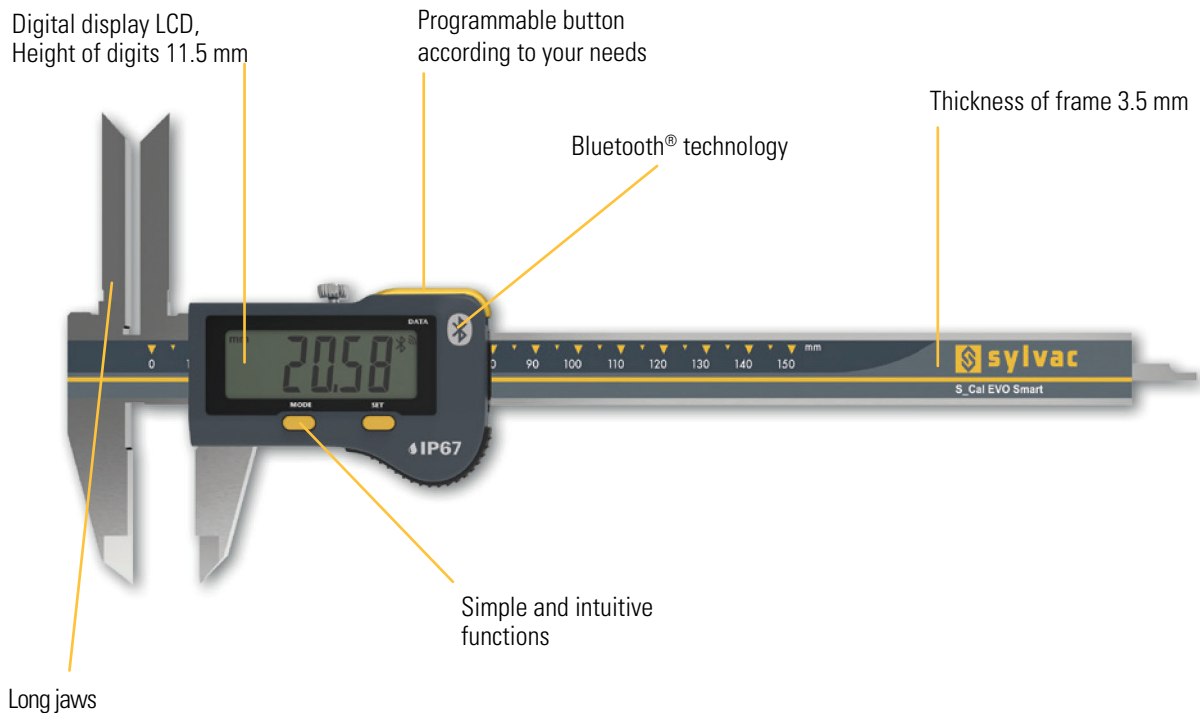
Special caliper

S_Cal EVO

DESCRIPTION

SMART DEEP MEASUREMENT

- **Integrated Bluetooth® wireless technology**
- Long internal jaws for deep measurements
- Programmable button according to your needs
- Water protected for heavy-duty work with coolants and lubricants, protection rating IP67 according to IEC 60529,
- Automatic wake-up by moving the electronic on his frame. (Absolute System S.I.S)
- Sleeping mode after 10 min. of no use. (Absolute System S.I.S)
- Position memorized in sleeping mode, **Absolute System S.I.S***
- Maximum speed of displacement : 2.5 m/sec
- Mechanical frame in stainless steel, hardened and grinded
- Great comfort of use thanks to its ergonomic frame



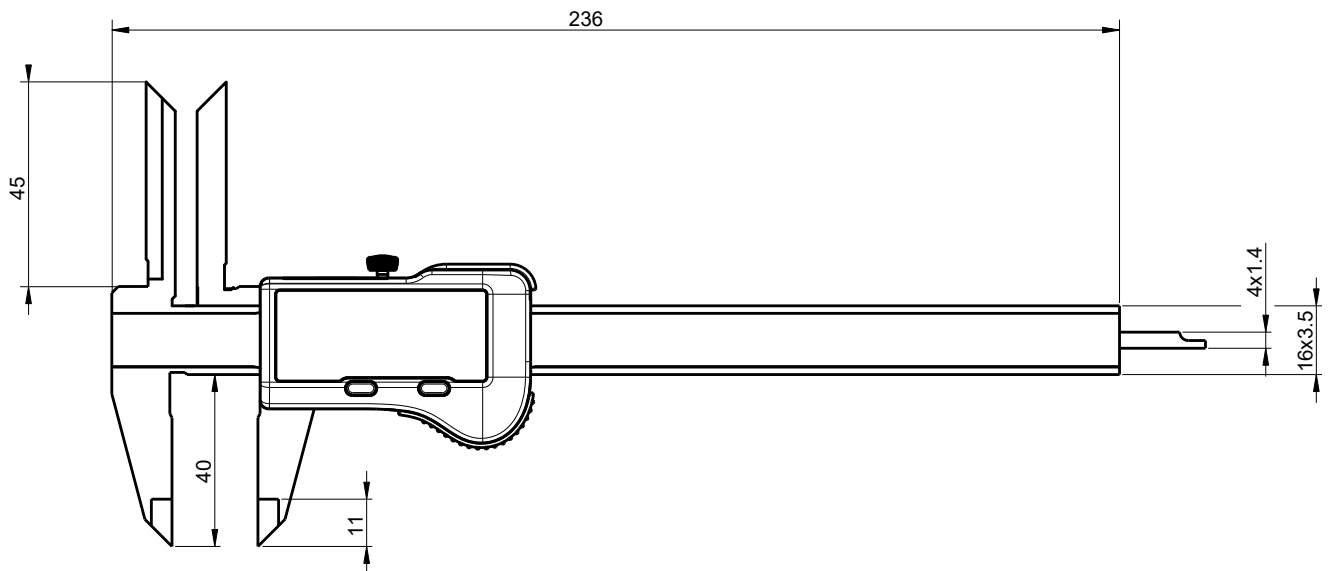
Long internal jaws for deep measurements

Special caliper

S_Cal EVO

DIMENSIONAL DRAWING

SMART DEEP MEASUREMENT



TECHNICAL SPECIFICATIONS

| | | 109135.2000 |
|--|----|--|
| Measuring range | mm | 150 |
| Max. Error G | µm | 20 ¹⁾ |
| Depth rod | mm | 4 x 1.4 |
| Protection rating according to IEC 60529 | | IP67 |
| Output data | | Bluetooth® wireless technology* |
| Functions | | Zero setting, Preset (max 999.99), mm/inch, Hold, Data |
| Smart Inductive Sensor | | ● |

¹⁾ > 100 mm : 30 µm / DIN 862

*** Up to 8 instruments connected per dongle 109145.1390**
More informations on How to use Bluetooth® leaflet SYL_1401_EN_BT