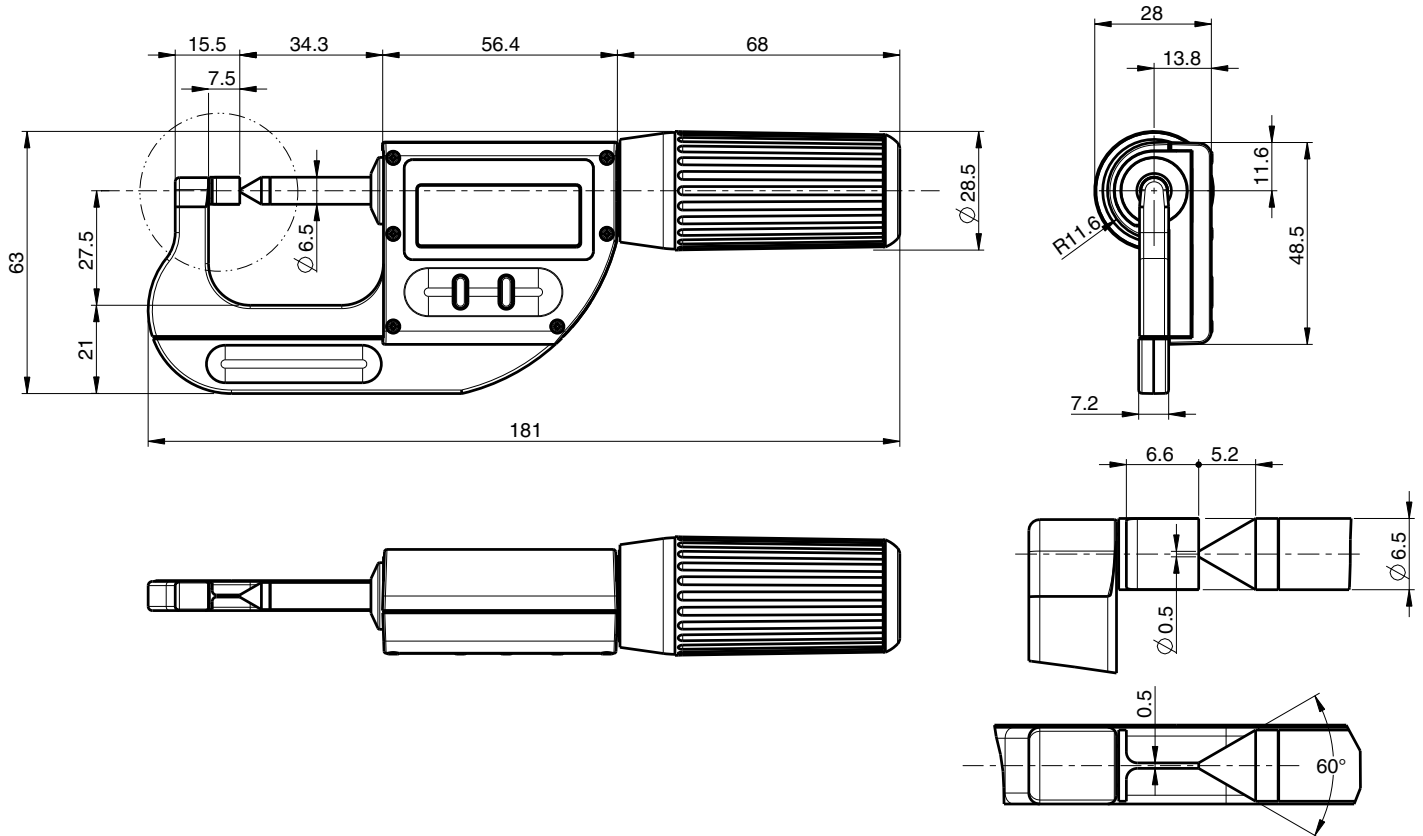




Built-in

Cable crimping



TECHNICAL SPECIFICATIONS

		115145.0100
Measuring range	mm	0-25
Max. Error G ¹⁾	µm	3
Repeatability ²⁾	µm	1
Anvils types		Knife 0.5mm - cone 60°/Ø0.5mm
Output data		Bluetooth® wireless technology*
Prot. rating accor. to IEC 60529		IP67 even connected
Setting by PC		●
Adjustable measuring force		5N / 10N
Non-rotating spindle		●
Fast movement		●
Preset function		●
Smart Inductive Sensor		●

¹⁾ according to DIN 863

²⁾ ± 1 digit

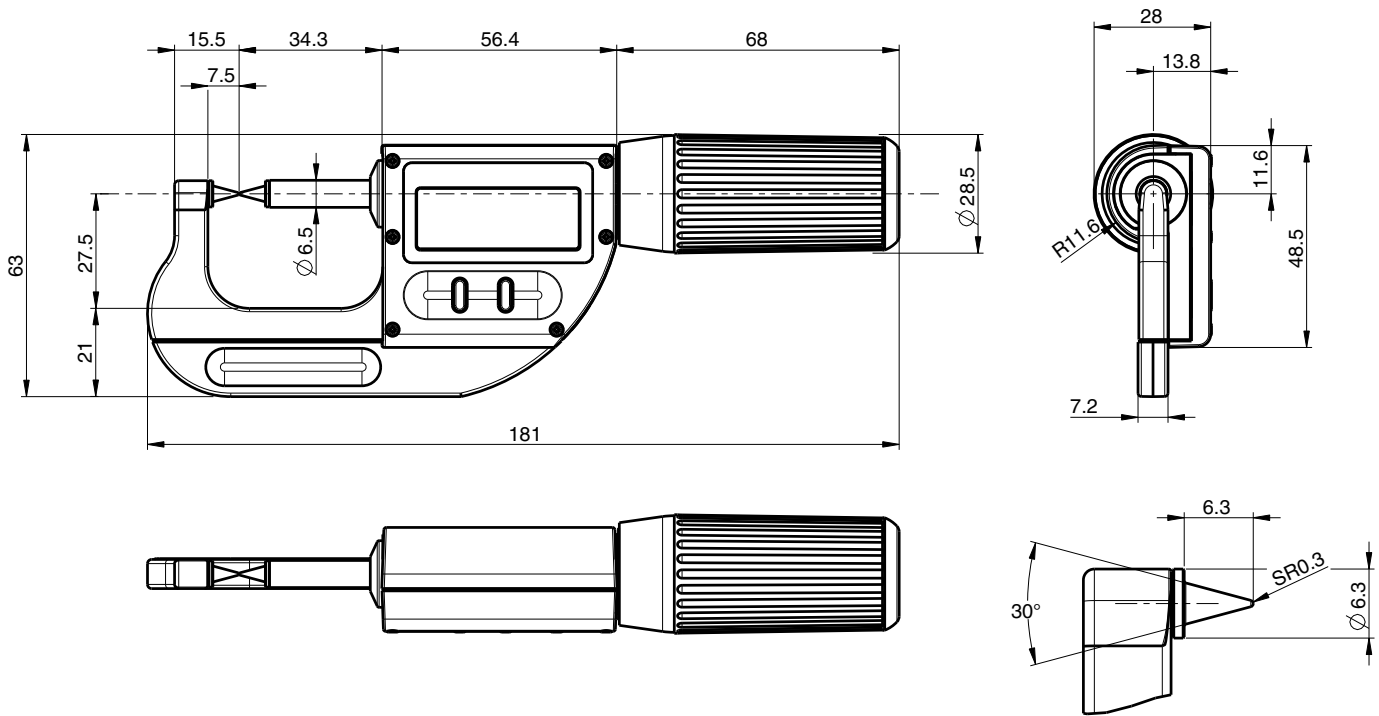
Professional micrometer

S_Mike PRO

DIMENSIONAL DRAWING

POINT / SPHERICAL

 Built-in Bluetooth® **Fluted Shaft**



TECHNICAL SPECIFICATIONS

		115145.0200
Measuring range	mm	0-25
Max. Error G ¹⁾	μm	3
Repeatability ²⁾	μm	1
Anvils types		Point 30° - spherical radius 0.3mm
Output data		Bluetooth® wireless technology*
Prot. rating accor. to IEC 60529		IP67 even connected
Setting by PC		●
Adjustable measuring force		5N / 10N
Non-rotating spindle		●
Fast movement		●
Preset function		●
Smart Inductive Sensor		●

¹⁾ according to DIN 863

²⁾ ± 1 digit