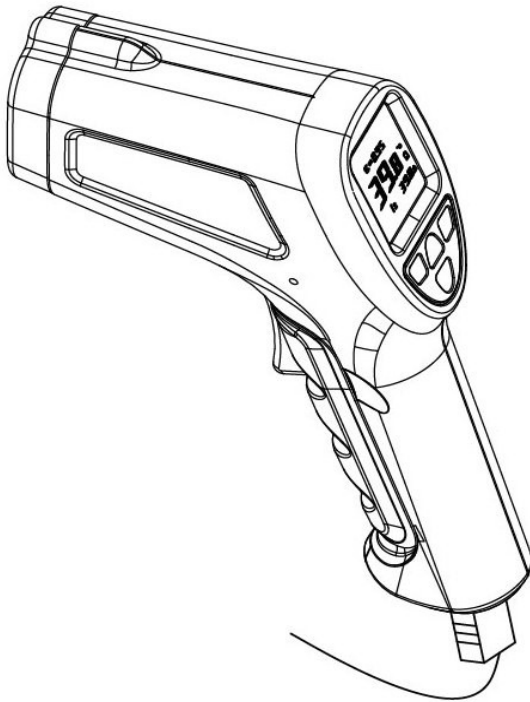


User Manual

**Wide Range InfraRed (IR) Thermometer
with Type K input and Laser Pointer**





Introduction

Congratulations on your purchase of the IR Thermometer. The IR thermometer measures and displays non-contact (infrared) temperature readings up to 1022°F (550°C). The built-in laser pointer increases target accuracy while the backlit LCD and handy push-buttons combine for convenient, ergonomic operation. The Type K thermocouple input provides contact measurements up to 1999°F (1400°C)*. The adjustable emissivity feature allows the IR thermometer to measure the temperature of virtually any surface. This meter is shipped fully tested and calibrated and, with proper use, will provide years of reliable service.

* The supplied thermocouple is rated for 482°F (250°C).

Safety

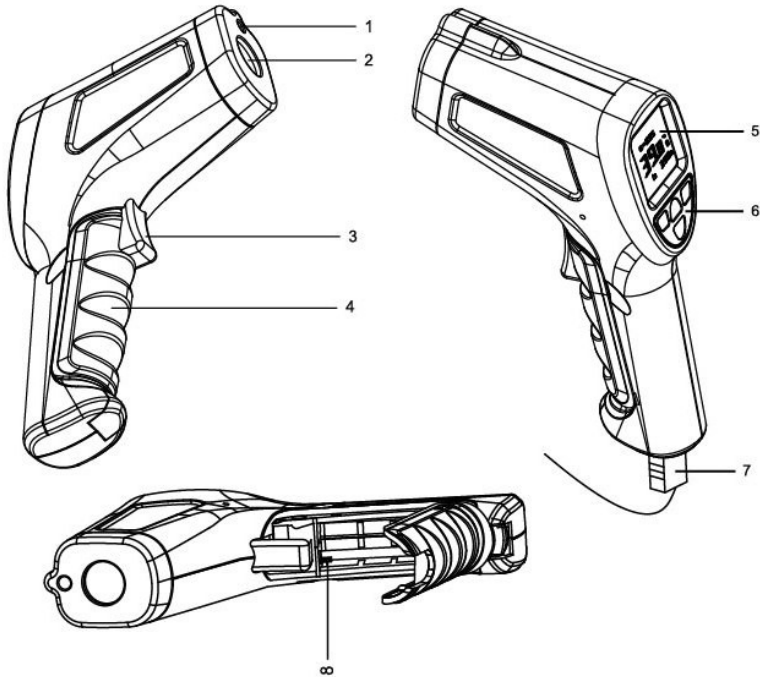
- Use extreme caution when the laser pointer is on
- Do not point the beam toward anyone's eye or allow the beam to strike the eye from a reflective surface
- Do not use the laser near explosive gases or in other potentially explosive areas



Meter Description

1. Laser pointer
2. IR Sensor
3. Measurement Trigger
4. Battery and Switch compartment
5. LCD Display
6. Function Buttons
7. Type-K thermocouple
8. Temperature units (°C or °F) switch

Note that switches are located in the battery compartment behind the battery.





Operating Instructions

IR (non-contact) Measurements

1. Hold the meter by its handle and point it toward the surface to be measured.
2. Pull and hold the trigger to turn the meter on and begin testing. The temperature reading, the flashing 'SCAN' icon, the emissivity, and the unit of measure will appear. **Note:** Replace the 9V battery if the display does not switch on.
3. Release the Trigger and the reading will hold for approximately 7 seconds (HOLD will appear on the LCD) after which the meter will automatically shut off. The only exception to this is if the TEST LOCK switch is set to ON.

Note: Select the temperature units ($^{\circ}\text{F}/^{\circ}\text{C}$) using the top switch inside the battery compartment

Backlight/Laser Pointer

1. While pulling the Trigger, push the backlight/laser button  once to turn on the backlight.
2. Press it again to turn on the laser pointer. When the laser is ON the laser icon  will appear in the LCD.
3. Press the laser button to turn the backlight off.
4. Pressing it again turns the laser off.

Note: Backlight and Laser settings will be retained after the meter powers down.



Type-K (contact) Measurements

1. Plug the Type-K thermocouple sensor into the jacks at the bottom of the instrument. The jack accepts a standard sub-miniature connector. Note that one plug spade is wider than the other and the plug can only be inserted into the meter in one direction.
2. Pull the trigger to turn the instrument ON.
3. In order to keep the instrument's power on while testing, the user can a:) hold the trigger or b:) lock the instrument on by setting the center dip switch to the ON position (switches are located inside of the battery compartment).
4. Repeatedly press the MODE button until the bottom display line of the LCD reads 'T k'. The temperature shown to the right of the 'T k' symbol is the temperature that the Type-K thermocouple is sensing.
5. Hold the thermocouple in air or touch the tip of the sensor to the device that is to be tested. The LCD's bottom temperature display will provide the measurement value.
6. The supplied thermocouple is rated for 482°F (250°C).

The MODE button options

The MODE button is used to access the programming functions of the instrument. The selected function is displayed on the bottom line of the LCD. Each parameter is listed below with a detailed account of its use. Press the MODE button to step from one parameter to the next.

EMS (Emissivity Value)

To change the emissivity value, use the UP and DOWN arrows (the range is 0.10 to 1.00). The current emissivity setting is always shown at the top of the LCD display. A setting of 0.95 covers about 90% of all applications. Emissivity is discussed in a dedicated section of this manual.

MAX (Maximum function)

In the MAX mode, only the highest reading encountered in the current measurement session is displayed

MIN (Minimum function)

In the MIN mode, only the lowest reading is displayed

DIF (Max minus Min value)

In the DIF mode, the MAX less the MIN is displayed.

AVG (Average value)

In the AVG mode, all of the readings in the current measurement session are averaged and the value is displayed.

HAL (High Alarm setting)

The temperature that, when exceeded, causes the audible/visual alarm to trip.

LAL (Low Alarm setting)

The temperature that, when exceeded high to low, causes the audible/visual alarm to trip.

T k (Type-K contact thermocouple sensor function)

The temperature reading of the Type-K contact probe is shown next to the 'T k' icon display. If the sensor is not correctly inserted to the meter the display will show all dashes '----'. The supplied thermocouple is rated for 482°F (250°C).



LOG 1 through 20 (20 reading internal Datalogger)

Repeatedly press the MODE button until the LOG icon is displayed on the lower left. Take a reading and then press the SET button to store the reading to the location represented by the number shown next to the LOG icon. Use the arrow keys to navigate the 20 storage locations. All dashes indicate that there is no reading stored in a memory location.

Automatic Emissivity Adjustment

The model has the ability to automatically calibrate the emissivity setting. However, in order to do so, the temperature of the measured surface must be above 212°F (100°C).

Follow the steps below to use the automatic emissivity adjustment feature:

1. Press the MODE button until the EMS (Emissivity) icon appears on the lower LCD line.
2. Press and hold the Laser/Backlight button until the EMS icon begins to blink and the emissivity value is displayed as "___".
3. The IR temperature will be displayed on the middle line of the LCD and the Type-K temperature will be displayed on the lower LCD line.
4. Touch the Type-K sensor to the surface and, at the same time, take an IR reading.
5. When both the IR and the Type-K measurements stabilize, press the UP or DOWN arrow button. The new emissivity value will now be displayed.
6. Proceed to take measurements.

Over-range Indicator

If the temperature measurement exceeds the specified temperature range, the thermometer will display dashes in place of a temperature reading.

High and Low Alarm Feature

The Model has an alarm feature whereas a High Alarm setting and a Low Alarm setting can be programmed by the user. When either Alarm point is reached the meter will alert the user via an audible beep and LCD display icon. Follow the steps below:

1. Press the MODE button until the HAL (High Alarm) parameter is displayed. Use the UP and DOWN arrow keys to set the desired High Alarm setting.
2. Press the MODE button until the LAL (Low Alarm) parameter is displayed. Use the UP and DOWN arrow keys to set the desired Low Alarm setting.
3. When an alarm limit is reached, the audible alarm will sound and the display icon HIGH or LOW will appear in the lower right hand corner of the LCD.
4. Note that if the bottom dip switch (located in the battery compartment) is set to OFF, the audible alarm will be disabled.


Internal Datalogging

The Model has a 20-reading internal memory.

1. Use the MODE button to scroll to the LOG display (small LOG icon on the bottom left of the LCD)
2. Take a reading and then press and hold the SET button to store the current reading in the memory location represented by the number shown next to the LOG icon
3. Use the arrow keys to scroll and view the data in the 20 locations



Battery Replacement

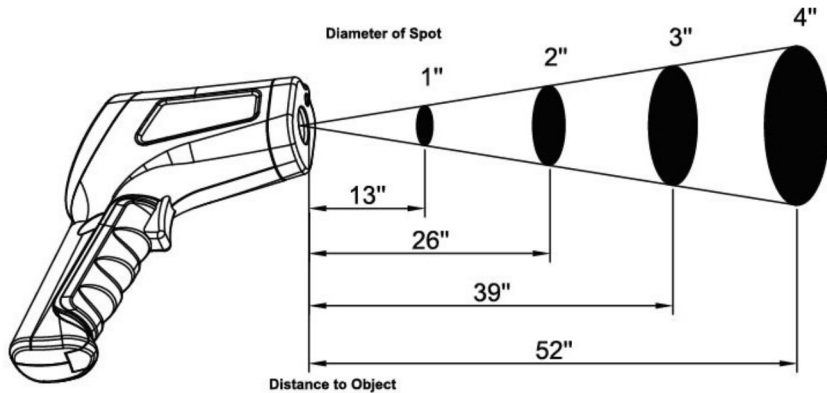
When the low battery symbol  appears on the lower left side of the display, replace the meter's battery (9V). The battery compartment is located behind the light green panel that surrounds the meter's trigger (see diagram). Open the compartment by pulling the light green panel down from the trigger area. Replace the 9V battery and close the battery compartment cover.

IR Measurement Notes

1. The object under test should be larger than the spot (target) size calculated by the field of view diagram (printed on the side of the meter and in this guide).
2. Before measuring, be sure to clean surfaces that are covered with frost, oil, grime, etc.
3. If an object's surface is highly reflective, apply masking tape or flat black paint to the surface before measuring. Allow time for the paint or tape to adjust to the temperature of the surface it is covering.
4. Measurements through transparent surfaces such as glass may not be accurate.
5. Steam, dust, smoke, etc. can obscure measurements.
6. The meter automatically compensates for deviations in ambient temperature. However, it can take up to 30 minutes for the meter to adjust to extremely wide changes.
7. To find a hot spot, aim the meter outside the area of interest then scan across (in an up and down motion) until the hot spot is located.

Field of View

The meter's field of view is 13:1. For example, if the meter is 13 inches from the target (spot), the diameter of the target must be at least 1 inch. Other distances are shown in the field of view diagram. Note that measurements should normally be made as close as possible to the device under test. The meter can measure from moderate distances but the measurement may be affected by external sources of light. In addition, the spot size may be so large that it encompasses surface areas not intended to be measured.



Emissivity and IR Measurement Theory

IR Thermometers measure the surface temperature of an object. The thermometer's optics sense emitted, reflected, and transmitted energy. The thermometer's electronics translate the information into a temperature reading which is then displayed on the LCD.

The amount of IR energy emitted by an object is proportional to an object's temperature and its ability to emit energy. This ability is known as emissivity and is based upon the material of the object and its surface finish. Emissivity values range from 0.1 for a very reflective object to 1.00 for a flat black finish. Most organic materials and painted or oxidized surfaces have an emissivity factor of 0.95. When in doubt, set the emissivity to 0.95.

Emissivity Factors for Common Materials

Material under test	Emissivity	Material under test	Emissivity
Asphalt	0.90 to 0.98	Cloth (black)	0.98
Concrete	0.94	Skin (human)	0.98
Cement	0.96	Leather	0.75 to 0.80
Sand	0.90	Charcoal (powder)	0.96
Soil	0.92 to 0.96	Lacquer	0.80 to 0.95
Water	0.92 to 0.96	Lacquer (matt)	0.97
Ice	0.96 to 0.98	Rubber (black)	0.94
Snow	0.83	Plastic	0.85 to 0.95
Glass	0.90 to 0.95	Timber	0.90
Ceramic	0.90 to 0.94	Paper	0.70 to 0.94
Marble	0.94	Chromium Oxides	0.81
Plaster	0.80 to 0.90	Copper Oxides	0.78
Mortar	0.89 to 0.91	Iron Oxides	0.78 to 0.82
Brick	0.93 to 0.96	Textiles	0.90



Specifications

Infrared Thermometer (Non-contact) Specifications

Range / Resolution	-58.0 to 1022.0°F (-50.0 to 550.0°C)	Resolution: 0.1°
Accuracy	-58 to 30°F (-50 to -1°C)	± 2.0%rdg or ±6°F/3°C whichever is greater
	31°F to 150°F (-0.5 to 65°C)	± 2.0%rdg or ±4.5°F/2.5°C whichever is greater
	151°F to 600°F (66 to 315°C)	± 2.0%rdg or ±4°F/2°C whichever is greater
	601°F to 1022°F (316 to 550°C)	± (2.5%rdg + 5°F/2.5°C)
	Note: Accuracy is specified for the following ambient temperature range: 73 to 77°F (23 to 25°C)	
Emissivity	0.10 to 1.00 adjustable (Automatic adjust above 212°F or 100°C)	
Field of View	D/S = Approx. 13:1 ratio (D = distance; S = spot or target)	
Laser pointer	Class 2 laser < 1mW power; Wavelength is 630 to 670nm	
IR Spectral response	8 to 14 μm (wavelength)	

Type K Thermocouple (Contact) Specifications

Range / Resolution	-58.0 to 1999 °F (-50.0 to 1400.0°C)	0.1°
	2000°F to 2498°F*	1°
Accuracy	± (1.5% of rdg + 2°F or 1°C)	
	Note: Accuracy is specified for the following ambient temperature range: 64 to 82°F (18 to 28°C)	

* The supplied thermocouple is rated for 482°F (250°C).

General Specifications

Display	Backlit LCD display with function indicators
Display update rate	1 second approx.
Operating Temperature	32°F to 122°F (0°C to 50°C)
Operating Humidity	80% Relative Humidity max.
Power Supply	9V battery
Automatic Power Off	Meter shuts off automatically after 7 seconds
Weight	165g
Dimensions	178.5X42X90.5