

Clamping levers steel internal thread

Item description/product images



lift to
disengage



Description

Material:

Handle steel 1.0401.

All other steel parts grade 5.8.

Version:

Handle powder-coated, fine-textured structure.

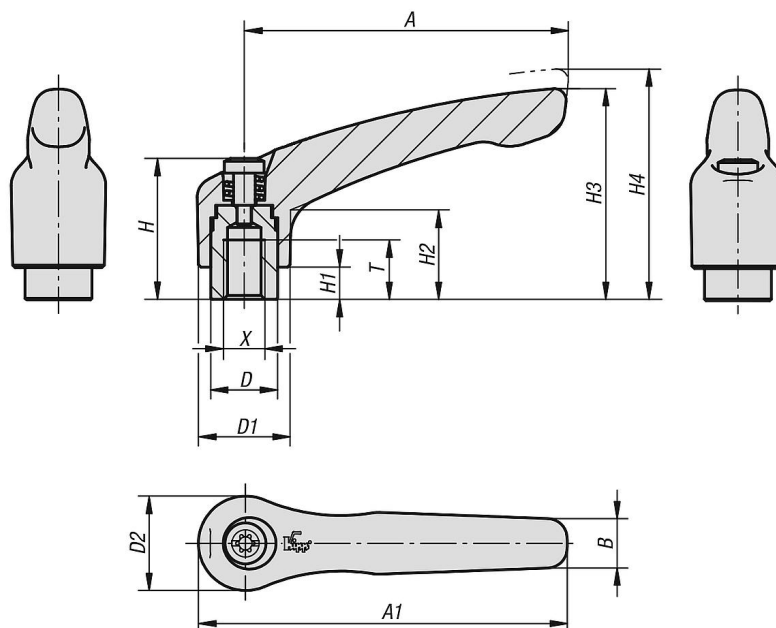
Steel parts black oxidised.

Note:

Standard colours are:

black or ruby red RAL 3003.

Drawings



Overview of items

Clamping levers steel internal thread

Overview of items

Clamping levers with internal thread

Order No.	Main colour	Size	X	T	D	D1	D2	H	H1	H2	H3	H4	A	A1	B	No. of teeth
K0752.1041	black	1	M4	9	10	13	14	24,5	4	14,5	31	34	40	47	7	16
K0752.1051	black	1	M5	9	10	13	14	24,5	4	14,5	31	34	40	47	7	16
K0752.1061	black	1	M6	9	10	13	14	24,5	4	14,5	31	34	40	47	7	16
K0752.2061	black	2	M6	12	13,5	18,5	19	28,5	6,5	17,5	42,5	45,5	65	74,5	10	20
K0752.2081	black	2	M8	12	13,5	18,5	19	28,5	6,5	17,5	42,5	45,5	65	74,5	10	20
K0752.3081	black	3	M8	14	16	21	22	37	10	24	54,5	58,5	80	91	11	22
K0752.3101	black	3	M10	14	16	21	22	37	10	24	54,5	58,5	80	91	11	22
K0752.4101	black	4	M10	17	19	27	27,5	43	10	27	63	67,5	95	109	13	24
K0752.4121	black	4	M12	17	19	27	27,5	43	10	27	63	67,5	95	109	13	24
K0752.5121	black	5	M12	23	23	31	32	49	12	31,5	73	77,5	110	126	15	26
K0752.5161	black	5	M16	23	23	31	32	49	12	31,5	73	77,5	110	126	15	26
K0752.10427	ruby red	1	M4	9	10	13	14	24,5	4	14,5	31	34	40	47	7	16
K0752.10527	ruby red	1	M5	9	10	13	14	24,5	4	14,5	31	34	40	47	7	16
K0752.10627	ruby red	1	M6	9	10	13	14	24,5	4	14,5	31	34	40	47	7	16
K0752.20627	ruby red	2	M6	12	13,5	18,5	19	28,5	6,5	17,5	42,5	45,5	65	74,5	10	20
K0752.20827	ruby red	2	M8	12	13,5	18,5	19	28,5	6,5	17,5	42,5	45,5	65	74,5	10	20
K0752.30827	ruby red	3	M8	14	16	21	22	37	10	24	54,5	58,5	80	91	11	22
K0752.31027	ruby red	3	M10	14	16	21	22	37	10	24	54,5	58,5	80	91	11	22
K0752.41027	ruby red	4	M10	17	19	27	27,5	43	10	27	63	67,5	95	109	13	24
K0752.41227	ruby red	4	M12	17	19	27	27,5	43	10	27	63	67,5	95	109	13	24
K0752.51227	ruby red	5	M12	23	23	31	32	49	12	31,5	73	77,5	110	126	15	26
K0752.51627	ruby red	5	M16	23	23	31	32	49	12	31,5	73	77,5	110	126	15	26

Information about this article

Description of clamping lever with internal thread: The adjustable grip is made from unalloyed C15 steel (grade 5.8). The highly robust steel grips easily stand up to higher forces during opening and closing. The handy grip on the clamping lever is matt powder-coated and available as standard in red or black. The matt coating ensures effective light absorption without glare. The following clamping lever thread sizes are available ex stock and can be conveniently ordered online: - M5- M6- M8- M10- M12- M16 Clamping levers with external thread are easy to install. Simply screw them into a part that has a corresponding internal thread. Lifting the handle unlocks it from the toothing, allowing it to be moved into the desired tightening position. The handle will automatically lock back into place when released. Using clamping levers with external thread: Clamping levers are predominantly used as an operating part in industrial applications such as machines or industrial plants. However, they can also be found in all other areas where a clamping operation is required i.e. entertainment and lighting technology, logistics systems, and sporting equipment.