

## Tension levers with internal thread, 0 degrees

### Item description/product images

#### Description

##### Material:

Steel parts grade 5.8.  
Ball knob black plastic.

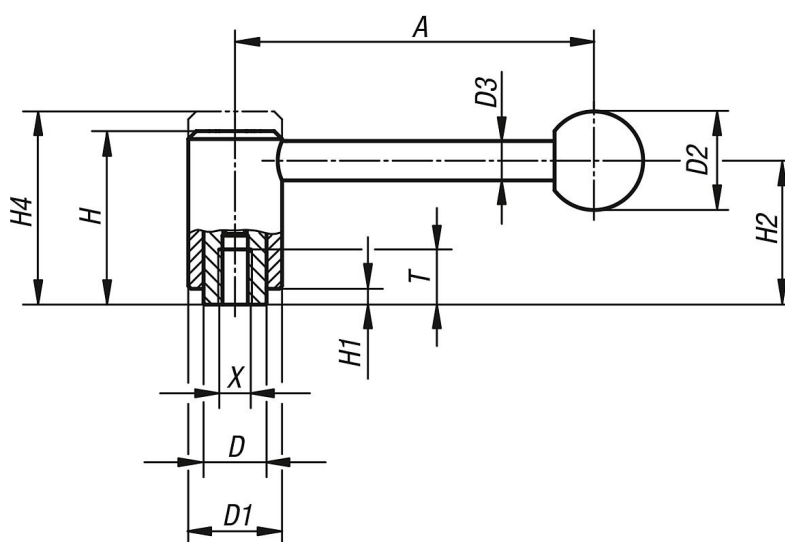
##### Version:

Powder-coated with fine texture, black.

##### On request:

Other threads and special versions.  
Dimensions "H1" and "A" available in other lengths at extra charge.

### Drawings



### Overview of items

Order No.	Form	X	T	A=Handle length	D	D1	D2	D3	H	H1	H2	H4	No. of teeth
K0108.1082	0°	M8	14	92	16	24	25	10	44,5	4,5	37	49,5	22
K0108.1102	0°	M10	14	92	16	24	25	10	44,5	4,5	37	49,5	22
K0108.2102	0°	M10	17	111	19	28	32	12	51,5	5,5	42	57,5	24
K0108.2122	0°	M12	17	111	19	28	32	12	51,5	5,5	42	57,5	24
K0108.3122	0°	M12	23	134,5	23	33	32	13	58	6	47	65	26
K0108.3162	0°	M16	23	134,5	23	33	32	13	58	6	47	65	26
K0108.4162	0°	M16	27	134	30	41	32	13	68,5	7,5	56,5	76,5	36
K0108.4202	0°	M20	27	134	30	41	32	13	68,5	7,5	56,5	76,5	36
K0108.4242	0°	M24	27	134	30	41	32	13	68,5	7,5	56,5	76,5	36